

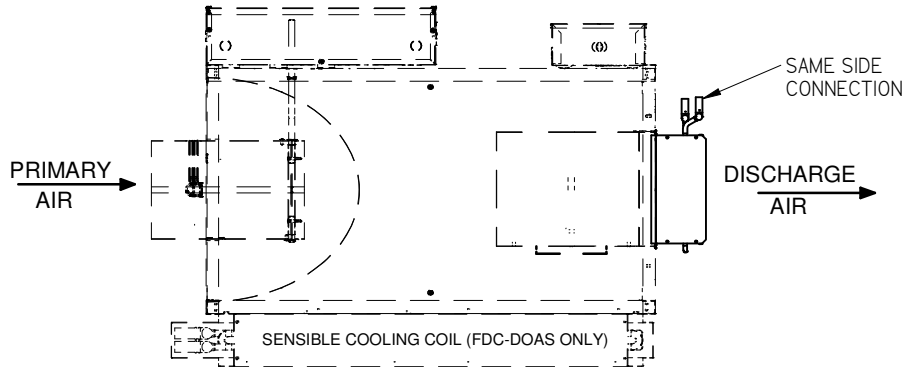
SLIP & DRIVE CONNECTION

HOOK LANCE CONNECTION



UNIT SIZE	IMPERIAL UNITS (inches)							
	STANDARD COILS				HIGH CAPACITY COILS			
	B	C	CONNECTION SIZES		B	C	CONNECTION SIZES	
			1 ROW	2 ROW			1 ROW	2 ROW
10	12	10	1/2	7/8	14	12 1/2	1/2	7/8
20	16	15	7/8	7/8	20	17 1/2	1/2	7/8
30	16	15	7/8	7/8	20	17 1/2	1/2	7/8
40	16	15	7/8	7/8	20	17 1/2	1/2	7/8
50	20	17 1/2	7/8	7/8	28	17 1/2	7/8	7/8

UNIT SIZE	SI UNITS (mm)							
	STANDARD COILS				HIGH CAPACITY COILS			
	B	C	CONNECTION SIZES		B	C	CONNECTION SIZES	
			1 ROW	2 ROW			1 ROW	2 ROW
10	305	254	13	22	356	318	13	22
20	406	381	22	22	508	445	13	22
30	406	381	22	22	508	445	13	22
40	406	381	22	22	508	445	13	22
50	508	445	22	22	711	445	22	22



**NOTES:**

1. FABRICATED FROM 22 GA. GALVANIZED STEEL. MECHANICALLY SEALED, LEAK RESISTANT CONSTRUCTION.
2. HOT WATER COILS HAVE COPPER TUBES AND ALUMINUM FINS WITH O.D. SWEAT CONNECTIONS.
3. METHOD OF VENTING HOT WATER COIL IS TO BE PROVIDED BY INSTALLING CONTRACTOR.

4. HANDING OF HOT WATER COILS CAN BE ON THE SAME SIDE AS THE CONTROLS, OR OPPOSITE SIDE. LEFT HAND UNIT WITH SAME SIDE CONNECTION IS ILLUSTRATED ABOVE.

5. ALLOW 1 1/2" (38) MINIMUM CLEARANCE FOR INSTALLATION AT THIS END.

6. PERFORMANCE RATED AND CERTIFIED IN ACCORDANCE WITH THE CURRENT EDITION OF AHRI STANDARD 410.

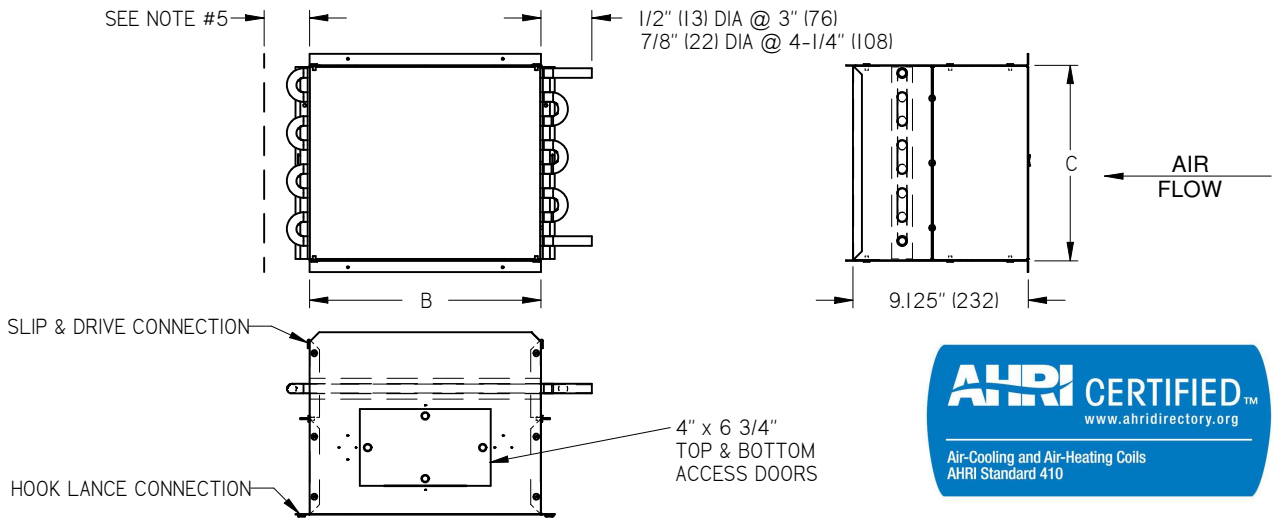
7. STANDARD COILS SUPPLIED WITH 10 FINS PER INCH.

**OPTIONS:**

- HC - HIGH CAPACITY COILS SUPPLIED WITH 12 FINS PER INCH.

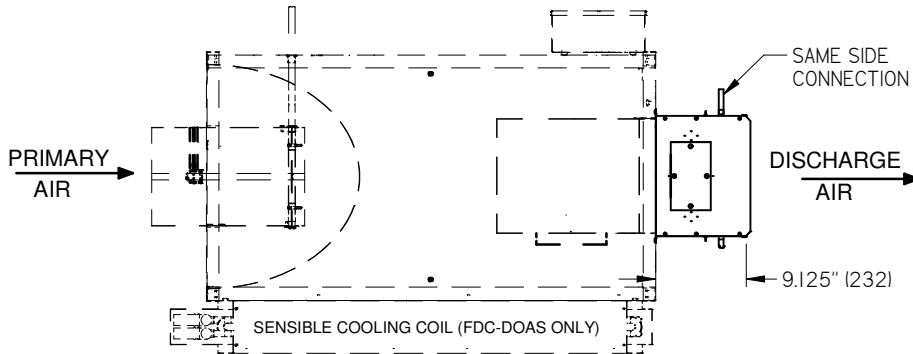
ALL METRIC DIMENSIONS ( ) ARE SOFT CONVERTED. IMPERIAL DIMENSIONS ARE CONVERTED TO METRIC AND ROUNDED TO THE NEAREST MILLIMETER.

<b>PROJECT:</b>		 CH <b>HOT WATER COILS</b> FAN POWERED TERMINALS FDC & FDC DOAS SIZES 10-50
<b>ENGINEER:</b>		
<b>CUSTOMER:</b>		
<b>SUBMITTAL DATE:</b>	<b>SPEC. SYMBOL:</b>	
		267930
		09/26/2019



UNIT SIZE	IMPERIAL UNITS (inches)							
	STANDARD COILS				HIGH CAPACITY COILS			
	B	C	CONNECTION SIZES		B	C	CONNECTION SIZES	
			1 ROW	2 ROW			1 ROW	2 ROW
10	12	10	1/2	7/8	14	12 1/2	1/2	7/8
20	16	15	7/8	7/8	20	17 1/2	1/2	7/8
30	16	15	7/8	7/8	20	17 1/2	1/2	7/8
40	16	15	7/8	7/8	20	17 1/2	1/2	7/8
50	20	17 1/2	7/8	7/8	28	17 1/2	7/8	7/8

UNIT SIZE	SI UNITS (mm)							
	STANDARD COILS				HIGH CAPACITY COILS			
	B	C	CONNECTION SIZES		B	C	CONNECTION SIZES	
			1 ROW	2 ROW			1 ROW	2 ROW
10	305	254	13	22	356	318	13	22
20	406	381	22	22	508	445	13	22
30	406	381	22	22	508	445	13	22
40	406	381	22	22	508	445	13	22
50	508	445	22	22	711	445	22	22



**NOTES:**

- FABRICATED FROM 22 GA. GALVANIZED STEEL. MECHANICALLY SEALED, LEAK RESISTANT CONSTRUCTION.
- HOT WATER COILS HAVE COPPER TUBES AND ALUMINUM FINNS WITH O.D. SWEAT CONNECTIONS.
- METHOD OF VENTING HOT WATER COIL IS TO BE PROVIDED BY INSTALLING CONTRACTOR.
- HANDING OF HOT WATER COILS CAN BE ON THE SAME SIDE AS THE CONTROLS, OR OPPOSITE SIDE. LEFT HAND UNIT WITH SAME SIDE CONNECTION IS ILLUSTRATED ABOVE.
- ALLOW 1 12" (38) MINIMUM CLEARANCE FOR INSTALLATION AT THIS END.

6. PERFORMANCE RATED AND CERTIFIED IN ACCORDANCE WITH THE CURRENT EDITION OF AHRI STANDARD 410.

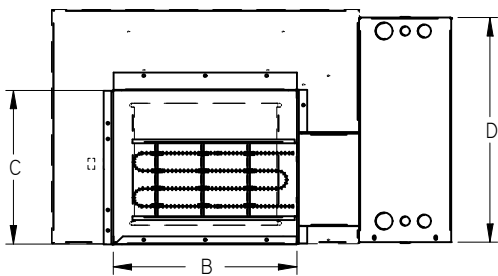
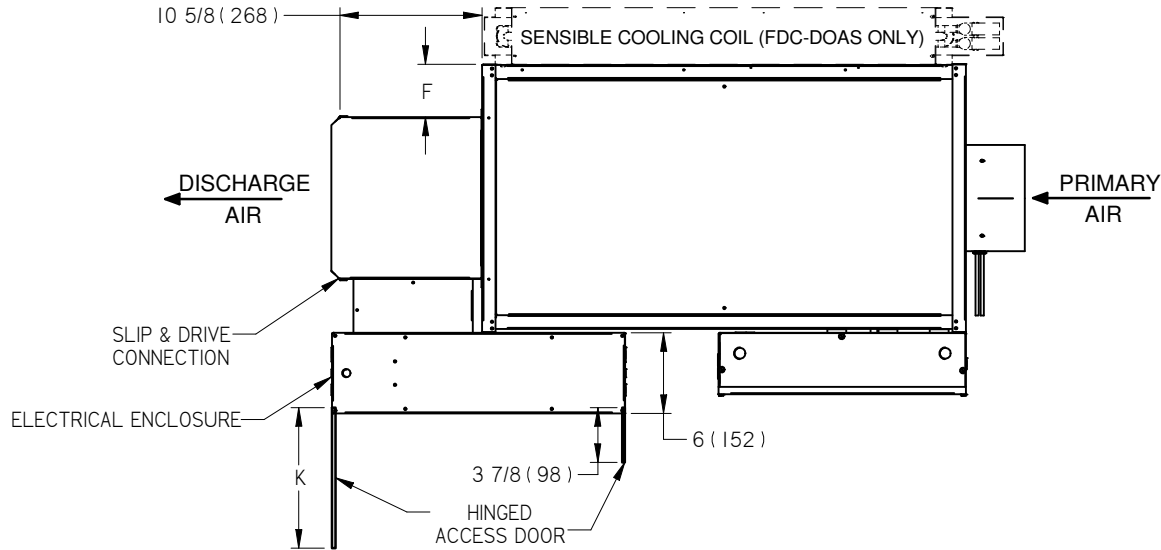
7. STANDARD COILS SUPPLIED WITH 10 FINNS PER INCH.

**OPTIONS:**

- HC - HIGH CAPACITY COILS SUPPLIED WITH 12 FINNS PER INCH
- CAD - ACCESS DOOR W/SCREWS
- CADL - ACCESS DOOR W/SNAP LATCHES
- CADQ - COIL ACCESS DOOR W/QUARTER TURN SASH LATCHES

ALL METRIC DIMENSIONS ( ) ARE SOFT CONVERTED. IMPERIAL DIMENSIONS ARE CONVERTED TO METRIC AND ROUNDED TO THE NEAREST MILLIMETER.

<b>PROJECT:</b>		 <b>HOT WATER COILS</b> FAN POWERED TERMINALS FDC & FDC DOAS w/ ACCESS DOOR SIZES 10-50
<b>ENGINEER:</b>		
<b>CUSTOMER:</b>		
<b>SUBMITTAL DATE:</b>		
<b>SPEC. SYMBOL:</b>		267931 09/26/2019



UNIT SIZES	OUTLET DUCT SIZE B X C	D	F	K
10	12x10 (305x254)	14 5/8 (371)	4 (102)	18 3/8 (467)
20	16x15 (406x381)	18 (457)	5 (127)	16 1/4 (413)
30	16x15 (406x381)	18 (457)	5 (127)	16 1/4 (413)
40	16x15 (406x381)	18 (457)	5 (127)	16 1/4 (413)
50	20x17 1/2 (508x445)	18 (457)	3 (76)	16 1/4 (413)

**STANDARD FEATURES**

- INTEGRATED RIVET HINGED ACCESS DOOR
- AUTOMATIC RESET THERMAL CUTOUT
- MANUAL RESET THERMAL CUTOUT
- FAN INTERLOCKED WITH HEATING ELEMENTS
- MAGNETIC CONTACTORS
- 20 GA. GALVANIZED STEEL CONSTRUCTION
- HIGH GRADE NICKEL CHROME HEATING ELEMENTS
- SINGLE POINT ELECTRICAL CONNECTION, EXCEPT SEPARATE POWER SUPPLY FOR 600/3  $\phi$ /3 WIRE

**SUPPLY VOLTAGE:**

- 115/1 $\phi$
- 208/1 $\phi$  (3 WIRE)
- 240/1 $\phi$
- 277/1 $\phi$
- 480/1 $\phi$  (3 WIRE)
- 208/3 $\phi$  (4 WIRE)
- 480/3 $\phi$  (4 WIRE)
- 600/3 $\phi$  (3 OR 4 WIRE)

**OPTIONAL FEATURES**

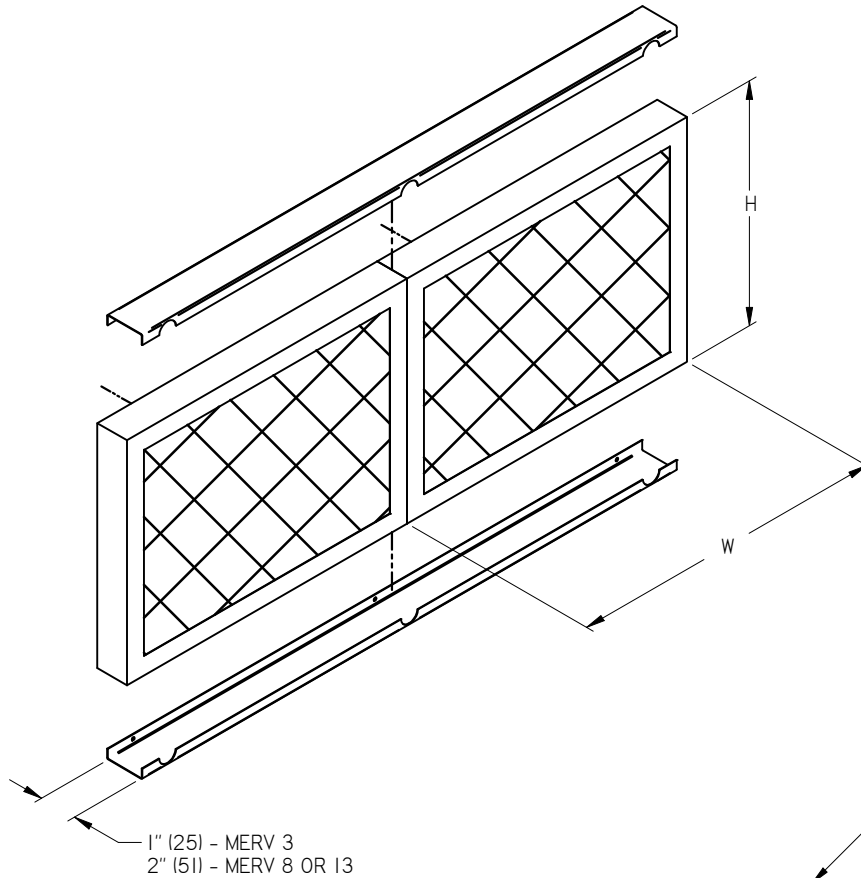
- AIR FLOW SWITCH
- CONTROL CIRCUIT FUSE
- DOOR INTERLOCK DISCONNECT SWITCH
- MAIN SUPPLY FUSE
- MOTOR FUSE
- SCR CONTROLS
- SCR-DAT CONTROLS
  - 0 to 10 Vdc CONTROL SIGNAL
  - 4 to 20 mA CONTROL SIGNAL
  - 24 VAC PULSE CONTROL
- DP - DUAL POINT POWER CONNECTION
- INSULATED EC SECTION

**NOTES**

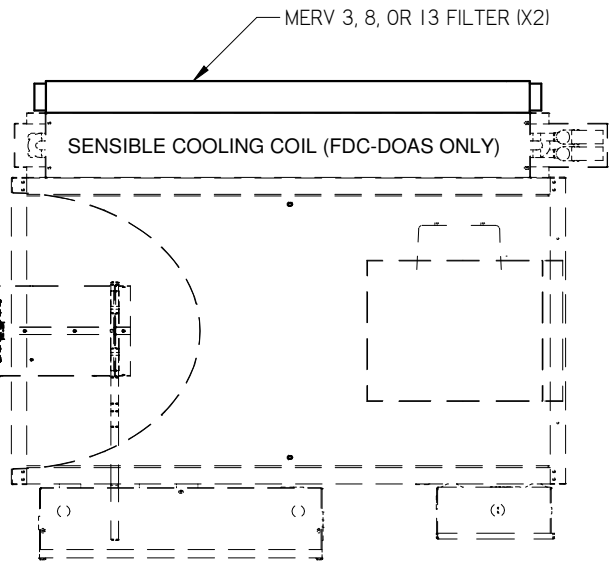
- 70 CFM PER KW MINIMUM AIR FLOW ACROSS HEATER COILS.
- MINIMUM 0.2" w.g.(50 Pa) EXTERNAL STATIC PRESSURE TO OPERATE.
- ASSEMBLY ETL CERTIFIED TO UL1995 & CSA236.

ALL METRIC DIMENSIONS ( ) ARE SOFT CONVERTED. IMPERIAL DIMENSIONS ARE CONVERTED TO METRIC AND ROUNDED TO THE NEAREST MILLIMETER.

<b>PROJECT:</b>		
<b>ENGINEER:</b>		
<b>CUSTOMER:</b>		GH
<b>SUBMITTAL DATE:</b>		267932
<b>SPEC. SYMBOL:</b>		09/26/2019
<b>ELECTRIC COILS</b> CONSTANT VOLUME FDC & FDC DOAS SIZES 10-50		



1" (25) - MERV 3  
2" (51) - MERV 8 OR 13



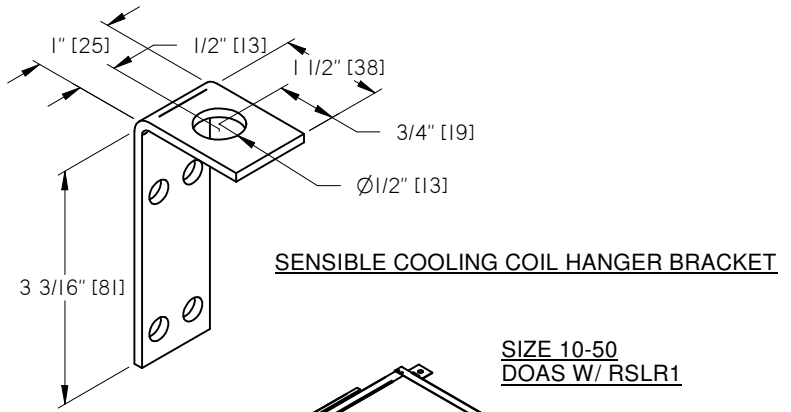
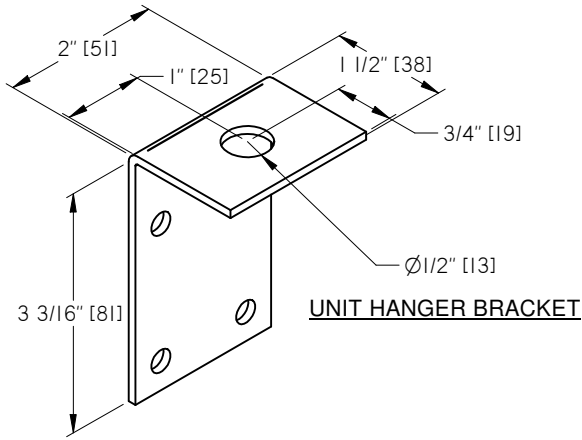
UNIT SIZE	IMPERIAL UNITS		S.I. UNITS	
	W	H	W	H
10	16 1/2	12 1/2	419	318
20	19	15	483	381
30	19	15	483	381
40	19	15	483	381
50	20 1/2	17 1/2	521	445

**NOTES:**

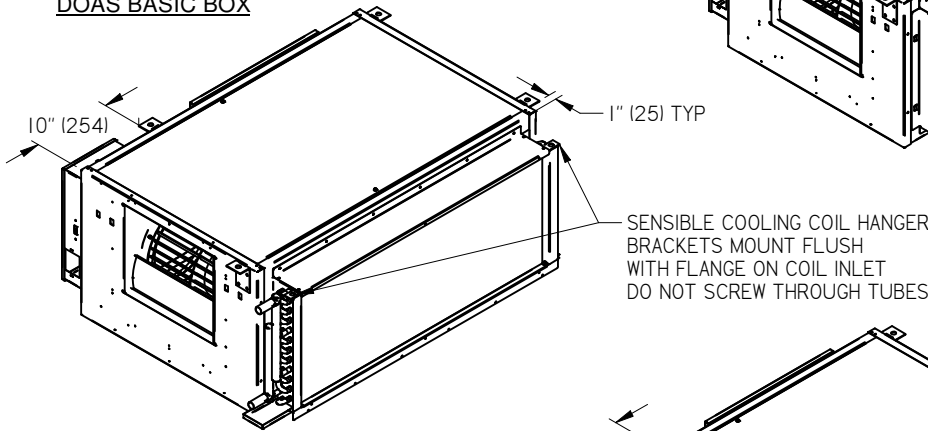
- 1" (51) NOMINAL FILTER MEDIA, FOR MERV 3 RATING (THROWAWAY).
- 2" (51) NOMINAL FILTER MEDIA, FOR MERV 8 OR 13 RATING.
- CARDBOARD FRAME.
- 2 FILTERS PER UNIT REQUIRED.

ALL METRIC DIMENSIONS ( ) ARE SOFT CONVERTED. IMPERIAL DIMENSIONS ARE CONVERTED TO METRIC AND ROUNDED TO THE NEAREST MILLIMETER.

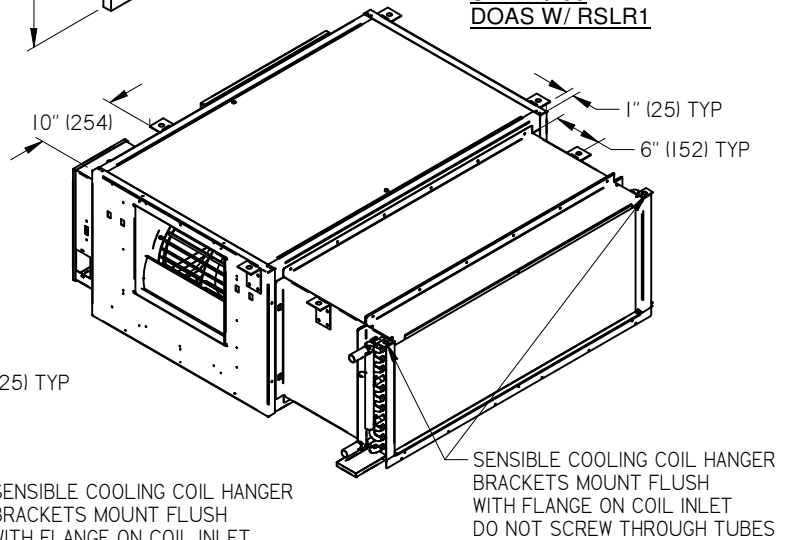
<b>PROJECT:</b>		<b>PRICE</b>
<b>ENGINEER:</b>		
<b>CUSTOMER:</b>		GH
<b>SUBMITTAL DATE:</b>		<b>267934</b>
<b>SPEC. SYMBOL:</b>		<b>09/26/2019</b>
<b>FILTERS</b> FAN POWERED TERMINAL FDC DOAS SIZES 10-50 MERV 3, 8, OR 13		



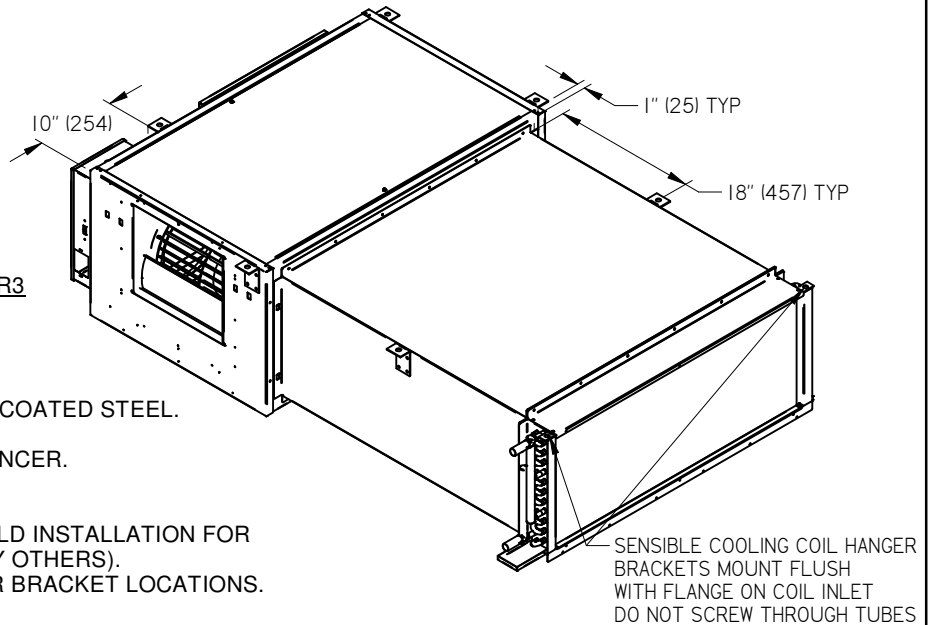
**SIZE 10-50  
DOAS BASIC BOX**



**SIZE 10-50  
DOAS W/ RSLR1**



**SIZE 10-50  
DOAS W/RSLR3**

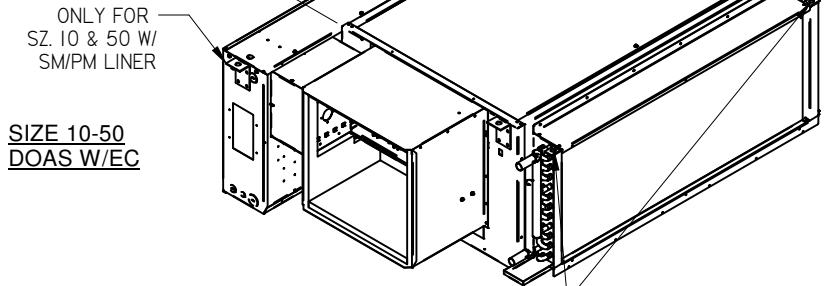
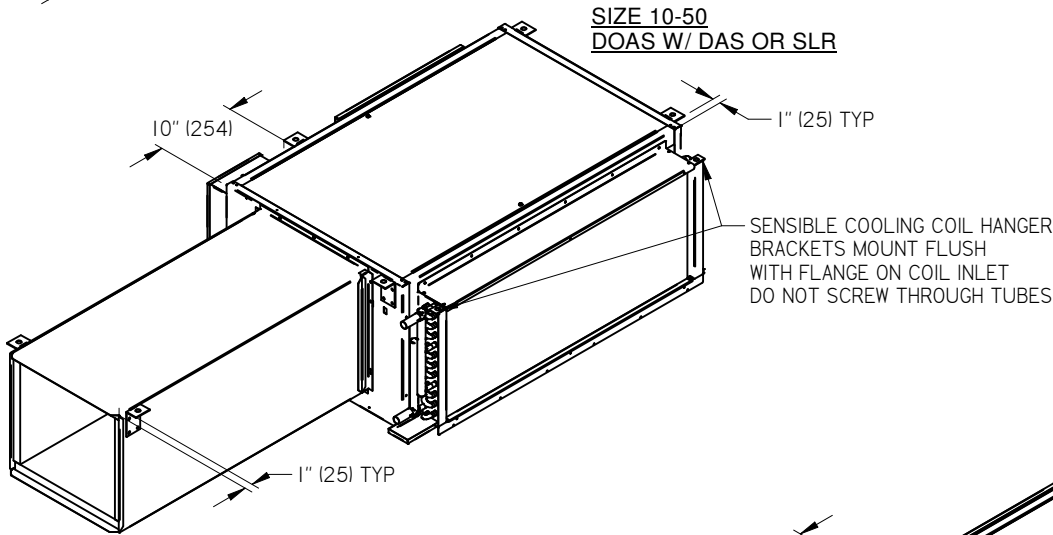
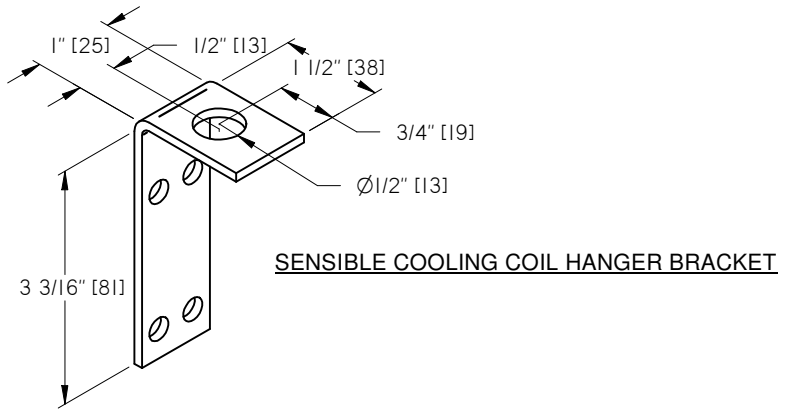
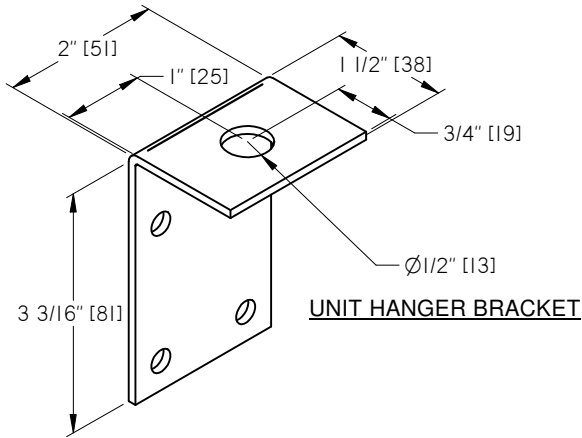


**NOTES:**

- HANGER BRACKETS ARE 12 GAUGE ZINC COATED STEEL.
- 4 PER UNIT.
- 2 PER DISCHARGE ATTENUATOR OR SILENCER.
- 2 PER RETURN SILENCER.
- 2 PER SENSIBLE COOLING COIL.
- BRACKETS ARE SHIPPED LOOSE FOR FIELD INSTALLATION FOR USE WITH THREADED HANGER RODS (BY OTHERS).
- LAYOUT INDICATES SUGGESTED HANGER BRACKET LOCATIONS.

ALL METRIC DIMENSIONS ( ) ARE SOFT CONVERTED. IMPERIAL DIMENSIONS ARE CONVERTED TO METRIC AND ROUNDED TO THE NEAREST MILLIMETER.

<b>PROJECT:</b>		<b>PRICE</b>	<b>ACCESSORIES HANGER BRACKETS [HB] LOCATIONS FOR FDC DOAS</b>
<b>ENGINEER:</b>			
<b>CUSTOMER:</b>		267935	
<b>SUBMITTAL DATE:</b>	<b>SPEC. SYMBOL:</b>	01/12/2021	

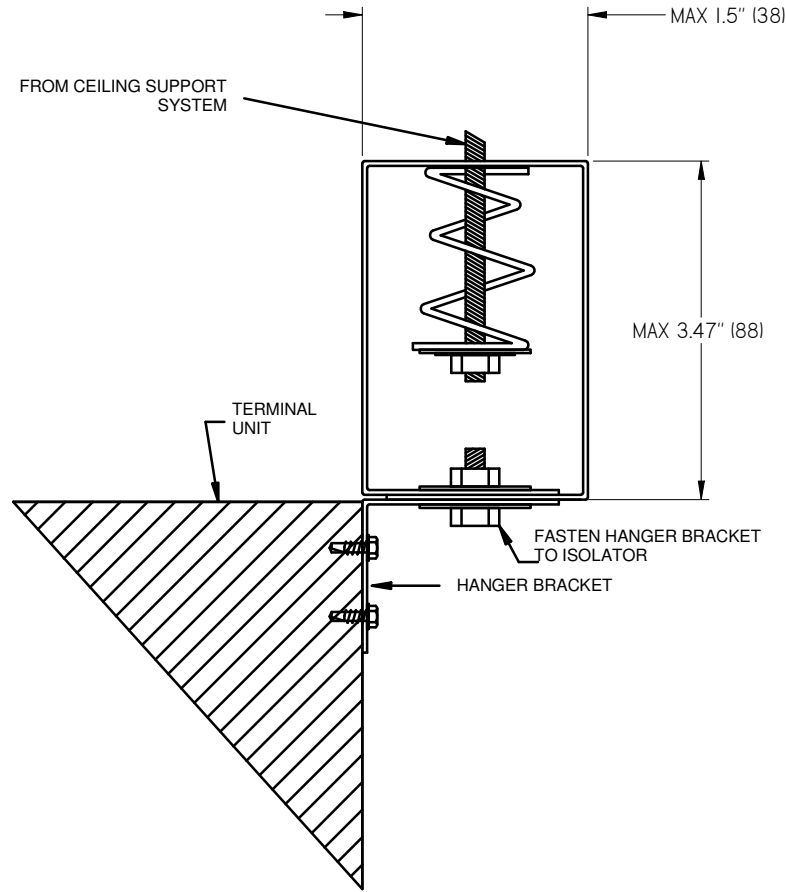


**NOTES:**

- HANGER BRACKETS ARE 12 GAUGE ZINC COATED STEEL.
- 4 PER UNIT.
- 2 PER DISCHARGE ATTENUATOR OR SILENCER.
- 2 PER RETURN SILENCER.
- 2 PER SENSIBLE COOLING COIL.
- BRACKETS ARE SHIPPED LOOSE FOR FIELD INSTALLATION FOR USE WITH THREADED HANGER RODS (BY OTHERS).
- LAYOUT INDICATES SUGGESTED HANGER BRACKET LOCATIONS.

ALL METRIC DIMENSIONS ( ) ARE SOFT CONVERTED. IMPERIAL DIMENSIONS ARE CONVERTED TO METRIC AND ROUNDED TO THE NEAREST MILLIMETER.

<b>PROJECT:</b>		<b>PRICE</b>	<b>ACCESSORIES</b> HANGER BRACKETS [HB] LOCATIONS FOR FDC DOAS
<b>ENGINEER:</b>			
<b>CUSTOMER:</b>		267935	
<b>SUBMITTAL DATE:</b>	<b>SPEC. SYMBOL:</b>	01/12/2021	




PRODUCT	HBS QTY REQUIRED								
	BASE UNIT	DAS/SLR	IAS	EC/WC	EC+SM/PM LINER	SM/PM LINER	RSLR1	RSLR3	DOAS SENSIBLE COOLING COIL
FDC 10	RED (X4)	RED (X2)	-	-	RED (X2)	-	-	-	-
FDC 20-40	YELLOW (X4)	RED (X2)	-	-	-	-	-	-	-
FDC 50	YELLOW (X4)	RED (X2)	-	-	YELLOW (X2)	-	-	-	-
FDC 60	YELLOW (X4)	RED (X2)	RED (X2)	YELLOW (X2)	-	YELLOW (X2)	-	-	-
FDC DOAS 10	RED (X4)	RED (X2)	-	-	RED (X1)	-	RED (X2)	YELLOW (X2)	RED (X2)
FDC DOAS 20-40	YELLOW (X4)	RED (X2)	-	-	-	-	RED (X2)	YELLOW (X2)	RED (X2)
FDC DOAS 50	YELLOW (X4)	RED (X2)	-	-	YELLOW (X1)	-	RED (X2)	YELLOW (X2)	RED (X2) SEE NOTE 1

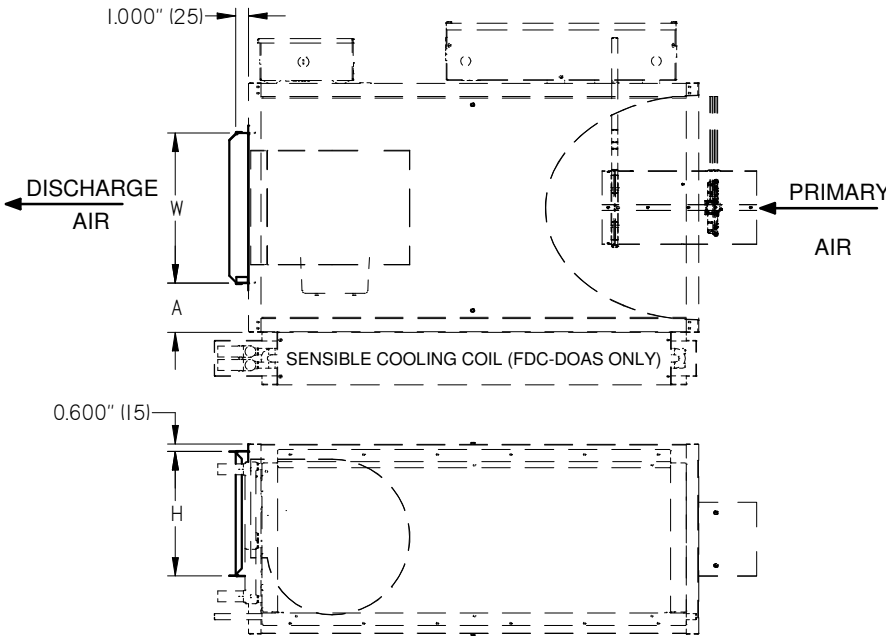
**NOTES:**

- HBS ARE SHIPPED LOOSE FOR FIELD INSTALLATION BY OTHERS, UNLESS OTHERWISE NOTED ON ORDER
- NUMBER OF HBS SHIPPED PER UNIT ACCORDING TO THE REFERENCE CHARTS ABOVE
- RED SPRING LOAD RANGE: 16 LBS - 35 LBS
- YELLOW SPRING LOAD RANGE: 36 LBS - 65 LBS
- NOTE 1: FOR 6 & 8 ROW SENSIBLE COOLING COIL ON SIZE 50, USE YELLOW (X2)

ALL METRIC DIMENSIONS ( ) ARE SOFT CONVERTED. IMPERIAL DIMENSIONS ARE CONVERTED TO METRIC AND ROUNDED TO THE NEAREST MILLIMETER.

<b>PROJECT:</b>			
<b>ENGINEER:</b>			
<b>CUSTOMER:</b>		267935	<b>ACCESSORIES</b> HANGER BRACKETS [HB] LOCATIONS FOR FDC & FDC DOAS HBS
<b>SUBMITTAL DATE:</b>	<b>SPEC. SYMBOL:</b>	01/12/2021	

**FDC SIZE 10-50**



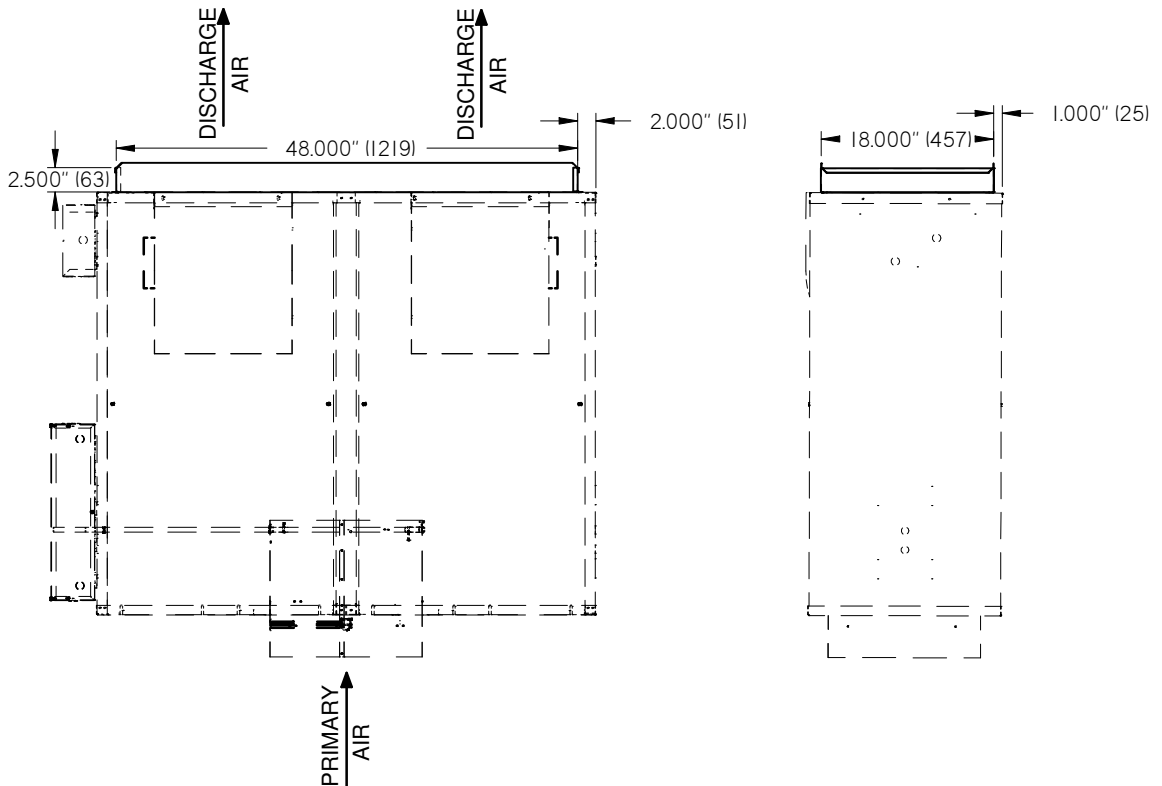
IMPERIAL UNITS (INCHES)			
Unit Size	W	H	A
10	12	10	4
20	16	15	5
30	16	15	5
40	16	15	5
50	20	17 1/2	5

SI UNITS (mm)			
Unit Size	W	H	A
10	305	254	102
20	406	381	127
30	406	381	127
40	406	381	127
50	508	445	127

**NOTES:**

- MADE FROM 22 GA GALVANIZED STEEL CONSTRUCTION
- SLIP AND DRIVE CONNECTION

**FDC SIZE 60**



ALL METRIC DIMENSIONS ( ) ARE SOFT CONVERTED. IMPERIAL DIMENSIONS ARE CONVERTED TO METRIC AND ROUNDED TO THE NEAREST MILLIMETER.

**PROJECT:**

**ENGINEER:**

**CUSTOMER:**

**SUBMITTAL DATE:**

**SPEC. SYMBOL:**



GH

268618

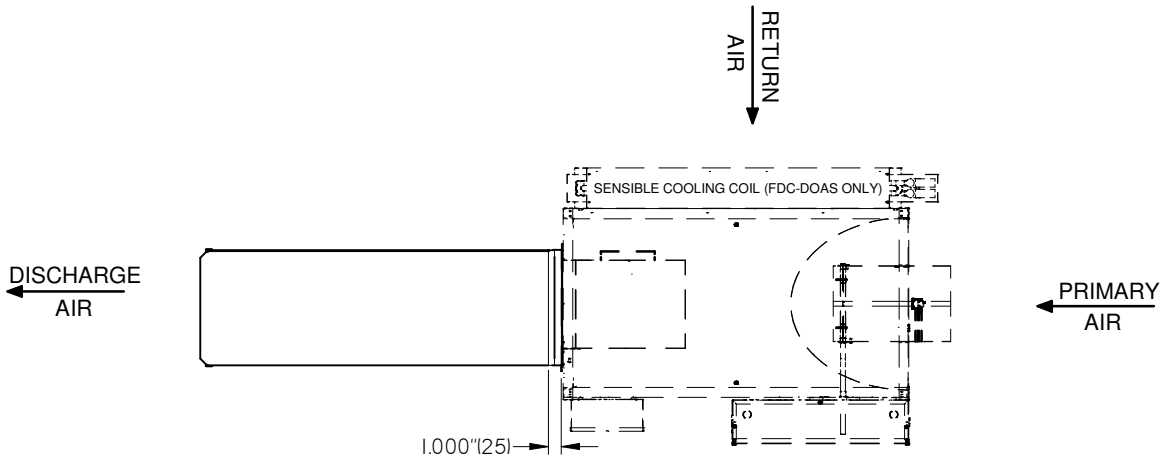
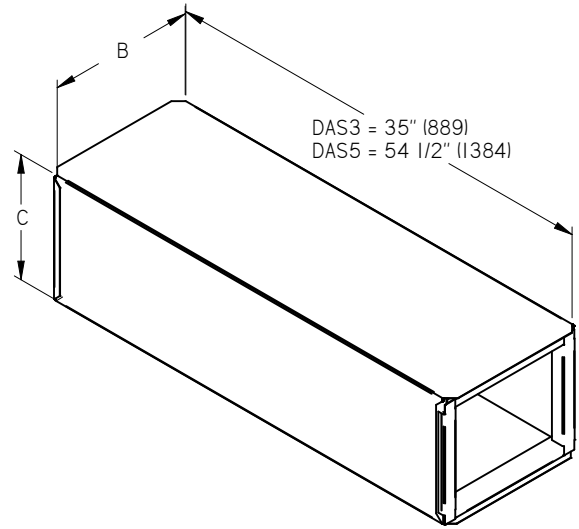
09/26/2019

**DISCHARGE COLLAR**  
**FAN POWERED TERMINALS**  
**CONSTANT VOLUME**  
**FDC-1-X & FDC DOAS**  
**SIZES 10 TO 50**



UNIT SIZE	IMPERIAL UNITS (inches)			
	WITHOUT COIL OR WITH STANDARD COIL		WITH HIGH CAPACITY COIL	
	B	C	B	C
10	12	10	14	12 1/2
20	16	15	20	17 1/2
30	16	15	20	17 1/2
40	16	15	20	17 1/2
50	20	17 1/2	28	17 1/2

UNIT SIZE	SI UNITS (mm)			
	WITHOUT COIL OR WITH STANDARD COIL		WITH HIGH CAPACITY COIL	
	B	C	B	C
10	305	254	356	318
20	406	381	508	445
30	406	381	508	445
40	406	381	508	445
50	508	445	711	445

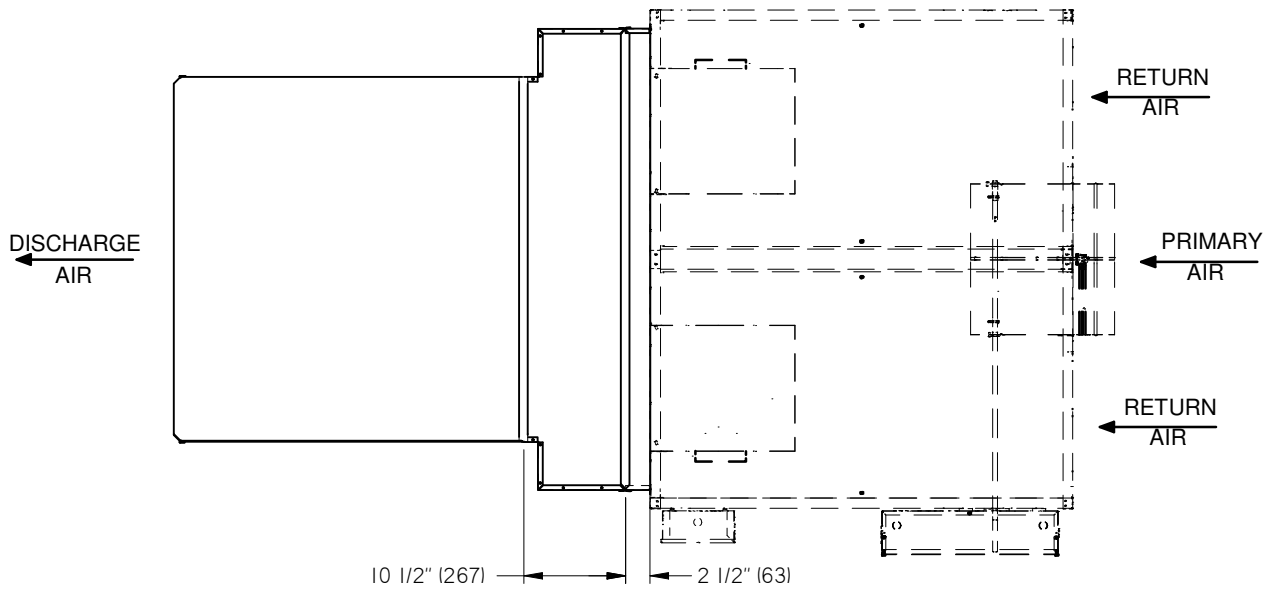
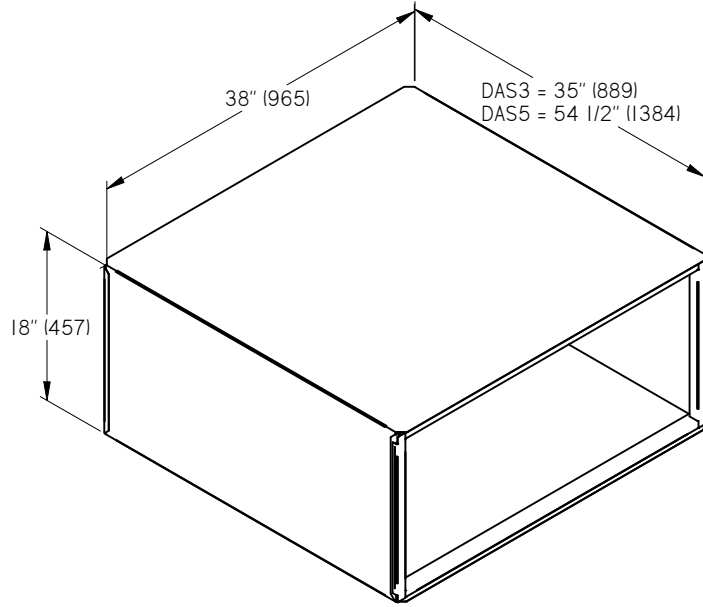


**NOTES:**

- 22 GA. GALVANIZED STEEL HOUSING, MECHANICALLY SEALED LEAK RESISTANT CONSTRUCTION.
- INSULATION TYPE WILL MATCH THE UNIT INSULATION TYPE.
- DISCHARGE ATTENUATORS SHIPPED LOOSE WITH SLIP AND DRIVE CLEATS WHERE REQUIRED.
- SLIP AND DRIVE CONNECTION (DISCHARGE COLLAR IS PROVIDED).

ALL METRIC DIMENSIONS ( ) ARE SOFT CONVERTED. IMPERIAL DIMENSIONS ARE CONVERTED TO METRIC AND ROUNDED TO THE NEAREST MILLIMETER.

<b>PROJECT:</b>		<b>PRICE</b>
<b>ENGINEER:</b>		
<b>CUSTOMER:</b>		<b>ATTENUATOR</b>
<b>SUBMITTAL DATE:</b>		FAN POWERED TERMINALS DISCHARGE FDC & FDC DOAS SIZES 10-50
<b>SPEC. SYMBOL:</b>		268659
		06/03/2024



**NOTES:**

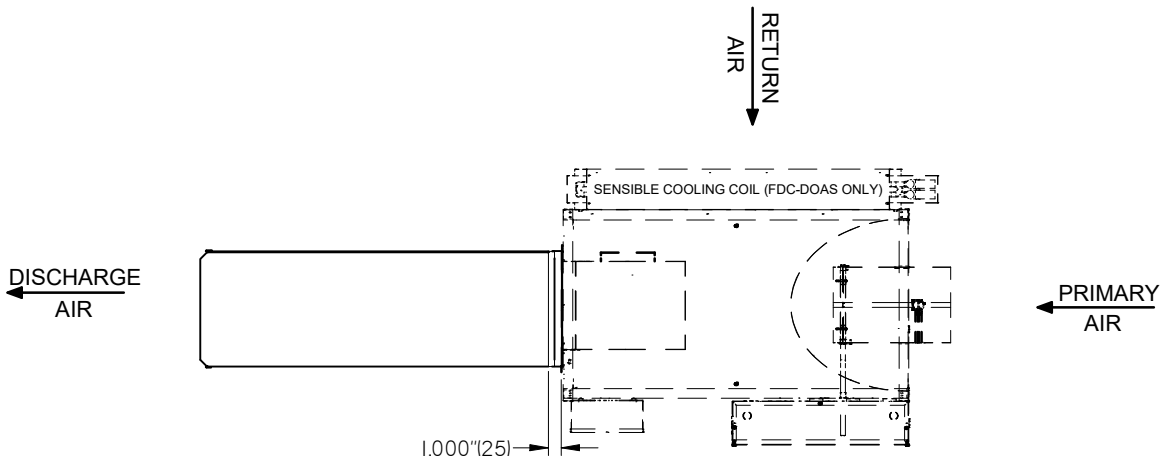
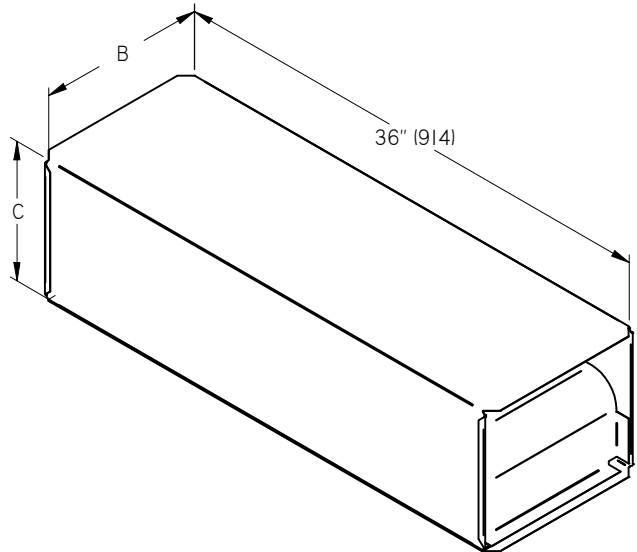
- 22 GA. GALVANIZED STEEL HOUSING, MECHANICALLY SEALED LEAK RESISTANT CONSTRUCTION.
- INSULATION TYPE WILL MATCH THE UNIT INSULATION TYPE.
- DISCHARGE ATTENUATORS SHIPPED LOOSE WITH SLIP AND DRIVE CLEATS WHERE REQUIRED.
- SLIP AND DRIVE CONNECTION (DISCHARGE COLLAR IS PROVIDED).

ALL METRIC DIMENSIONS ( ) ARE SOFT CONVERTED. IMPERIAL DIMENSIONS ARE CONVERTED TO METRIC AND ROUNDED TO THE NEAREST MILLIMETER.

<b>PROJECT:</b>		<b>PRICE</b>	<b>ATTENUATOR</b> FAN POWERED TERMINALS DISCHARGE FDC SIZE 60
<b>ENGINEER:</b>			
<b>CUSTOMER:</b>		268659	
<b>SUBMITTAL DATE:</b>	<b>SPEC. SYMBOL:</b>	06/03/2024	

UNIT SIZE	IMPERIAL UNITS (inches)	
	B	C
20	16	15
30	16	15
40	16	15
50	20	17 1/2

UNIT SIZE	SI UNITS (mm)	
	B	C
20	406	381
30	406	381
40	406	381
50	508	445



**NOTES:**

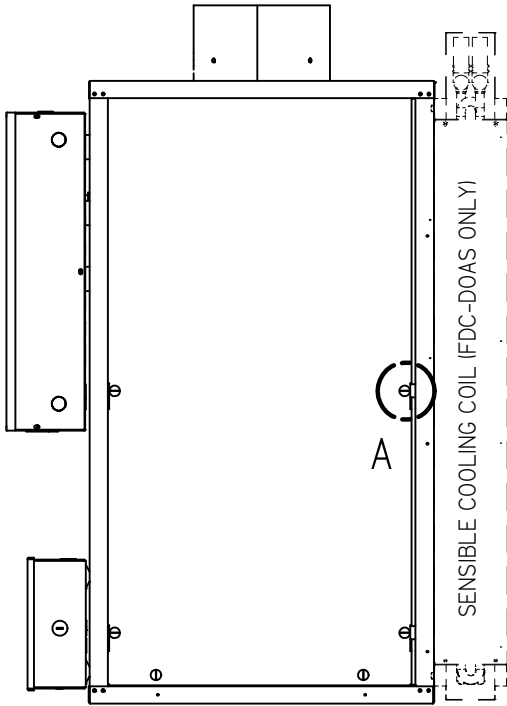
- 22 GA. GALVANIZED STEEL HOUSING, MECHANICALLY SEALED LEAK RESISTANT CONSTRUCTION.
- SILENCER WITH PERFORATED LINER OVER ACOUSTIC FIBERGLASS MEDIA.
- DISCHARGE SILENCERS SHIPPED LOOSE WITH SLIP AND DRIVE CLEATS WHERE REQUIRED.
- SLIP AND DRIVE CONNECTION (DISCHARGE COLLAR IS PROVIDED).

**OPTIONAL LINERS:**

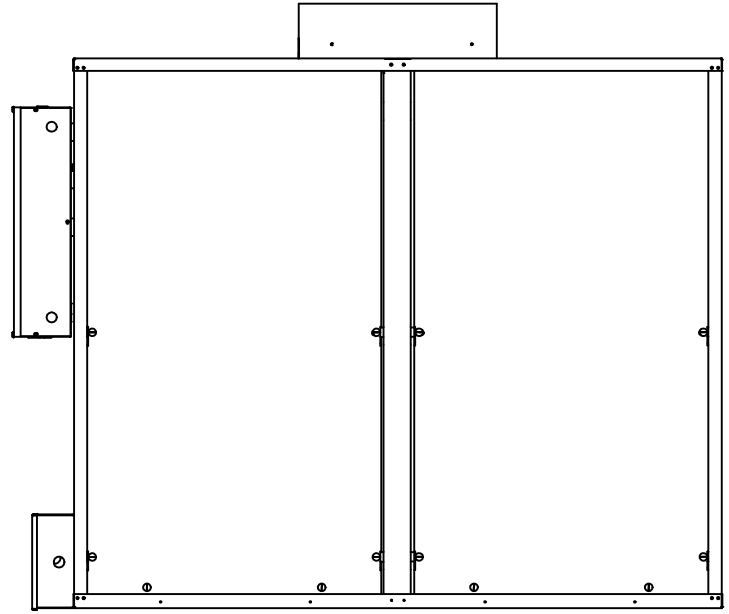
- FC - FIBERGLASS CLOTH
- PL - POLYMER LINER

ALL METRIC DIMENSIONS ( ) ARE SOFT CONVERTED. IMPERIAL DIMENSIONS ARE CONVERTED TO METRIC AND ROUNDED TO THE NEAREST MILLIMETER.

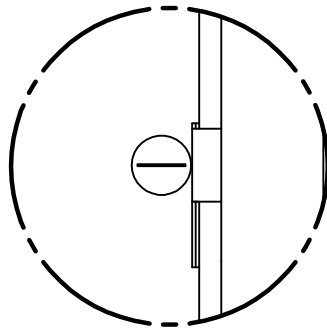
<b>PROJECT:</b>		<b>PRICE</b>
<b>ENGINEER:</b>		
<b>CUSTOMER:</b>		4
<b>SUBMITTAL DATE:</b>		<b>ATTENUATOR</b>
<b>SPEC. SYMBOL:</b>		FAN POWERED TERMINALS DISCHARGE SILENCER FDC & FDC DOAS SIZES 20-50
		268660
		09/26/2019



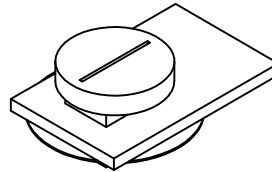
SIZE 10-50



SIZE 60



DETAIL A

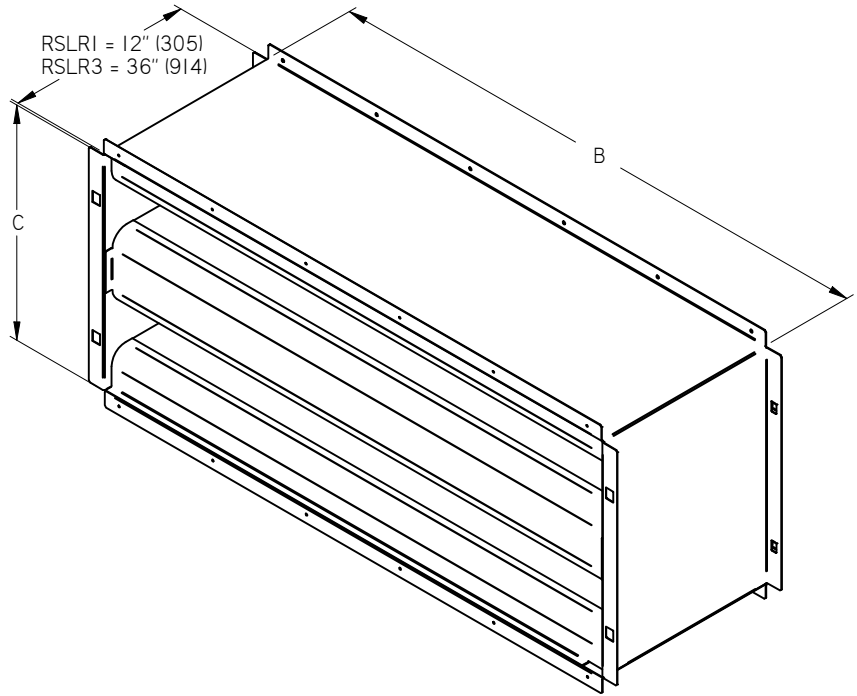


**NOTES:**

- PLASTIC INJECTION MOLDED BUTTON, WITH GALVANIZED STEEL TABS.
- 6 LATCHES PER ACCESS PANEL.
- SLOT INCLUDED IN CAM LATCH FOR EASY ACCESSIBILITY WITH A SCREWDRIVER.

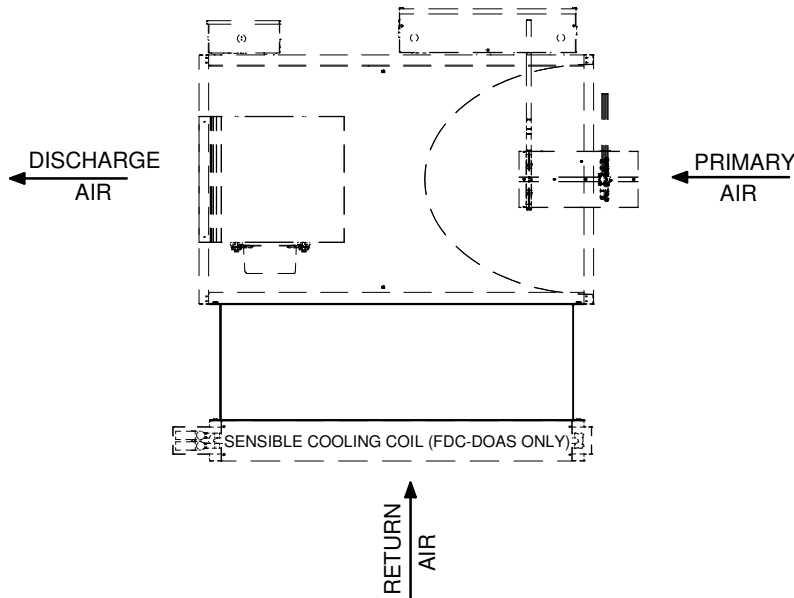
ALL METRIC DIMENSIONS ( ) ARE SOFT CONVERTED. IMPERIAL DIMENSIONS ARE CONVERTED TO METRIC AND ROUNDED TO THE NEAREST MILLIMETER.

<b>PROJECT:</b>		<b>PRICE</b>
<b>ENGINEER:</b>		
<b>CUSTOMER:</b>		GH
<b>SUBMITTAL DATE:</b>		269078
<b>SPEC. SYMBOL:</b>		09/26/2019
		<b>CAM LATCHES</b> FAN POWERED TERMINAL FDC / FDC-DOAS SIZES 10-60



UNIT SIZE	IMPERIAL UNITS (inches)	
	B	C
10	31 5/8	12 1/2
20	36 5/8	15
30	36 5/8	15
40	36 5/8	15
50	39 5/8	17 1/2

UNIT SIZE	SI UNITS (mm)	
	B	C
10	803	318
20	930	381
30	930	381
40	930	381
50	1006	445



**NOTES:**

- 22 GA. GALVANIZED STEEL HOUSING, MECHANICALLY SEALED LEAK RESISTANT CONSTRUCTION.
- SILENCER WITH PERFORATED LINER OVER ACOUSTIC FIBERGLASS MEDIA.

**OPTIONAL LINERS:**

- PL - POLYMER LINER

ALL METRIC DIMENSIONS ( ) ARE SOFT CONVERTED. IMPERIAL DIMENSIONS ARE CONVERTED TO METRIC AND ROUNDED TO THE NEAREST MILLIMETER.

<b>PROJECT:</b>		<b>PRICE</b>
<b>ENGINEER:</b>		
<b>CUSTOMER:</b>		GH
<b>SUBMITTAL DATE:</b>		271535
<b>SPEC. SYMBOL:</b>		01/12/2021
<b>ATTENUATOR</b> FAN POWERED TERMINALS RETURN SILENCER FDC DOAS SIZES 10-50		